

The Bottle-Up™

The storage and display solution for home, office and retail



Sell more water by enhancing your product image with your company header and graphics



- 💧 Designed for home, office and retail use (3, 4 and 5 gallon bottles)
- 💧 Highly stable, durable, easy to clean and hygienic
- 💧 Injection molded from HDPE or optional recycled PET
- 💧 Keep your inventory near the cooler to keep the water flowing
- 💧 Available in single wide and double wide tray units
- 💧 Vertical and horizontal bottle storage options
- 💧 Flat top storage for coffee, cups and other breakroom supplies
- 💧 Protects the bottles from scuffing while in storage
- 💧 Full depth trays to fully enclose bottles - no necks sticking out

Built-in Drip Tray



Trays can be made with recycled PET

Flat Top For Extra Storage



Prevent out-of-stocks

Rugged, stackable & strong



Multiple Configurations

Note: Recommended single wide stacking height no more than 4 layers high (bottles laying horizontal on a level surface)
Recommended single wide stacking height no more than 2 layers high (bottles standing vertical on a level surface)



**Polymer
Solutions
International**

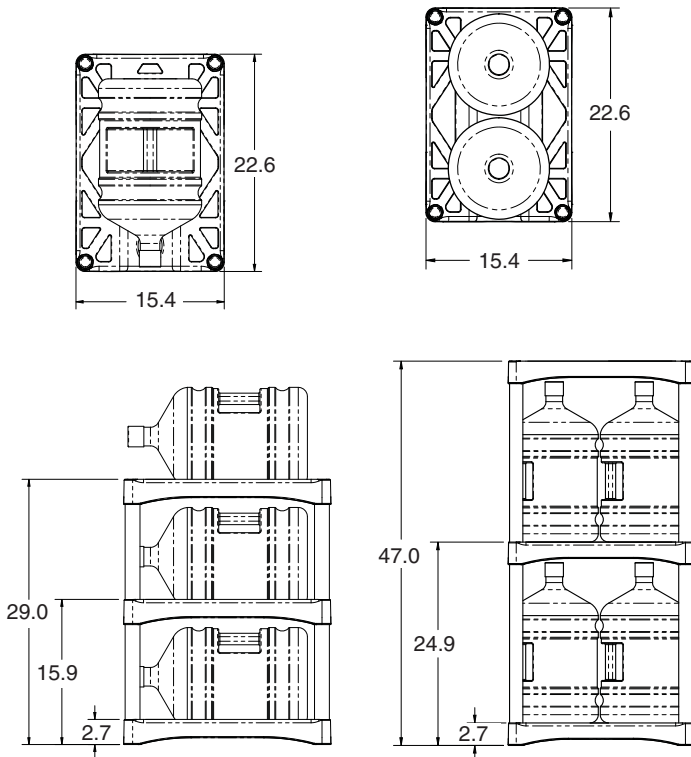
Visit us at: www.prostack.com

Call: 1 (609) 714-3390 • Toll Free: (877) 444-7225 • FAX 1 (610) 356-6327

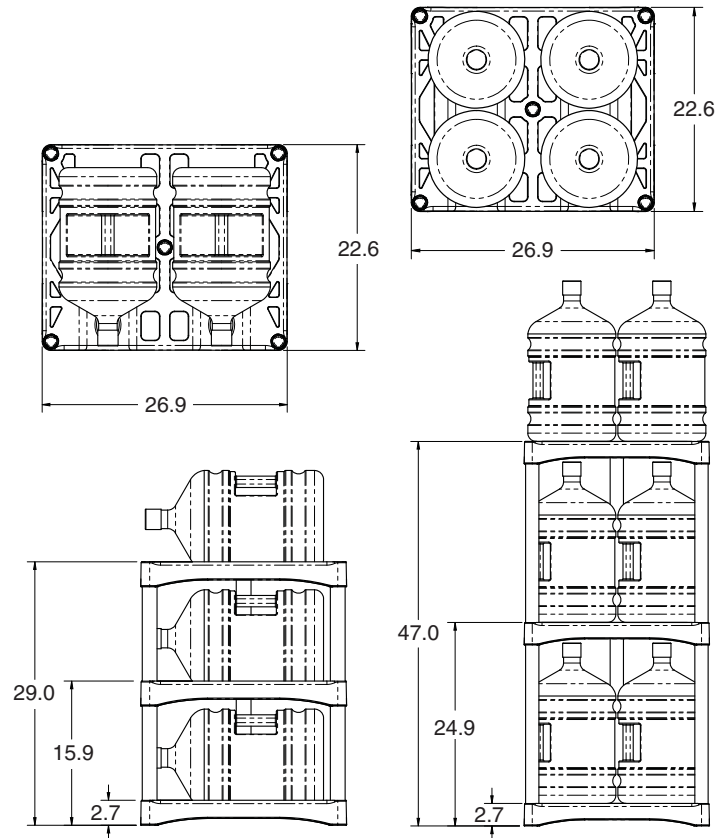
Email: info@prostack.com or Write: 9 Roxbury Drive, Medford, New Jersey 08055, USA

The Bottle-Up™

SINGLE WIDE ASSEMBLY



DOUBLE WIDE ASSEMBLY



Ordering Options

The Bottle-Up™ Single Wide

3H pack: 3 tray units and 8 legs (capacity 3 bottles horizontal)

3V pack: 3 tray units and 8 legs (capacity 6 bottles vertical)

5H pack: 5 tray units and 16 legs (capacity 5 bottles horizontal)

The Bottle-Up™ Double Wide

3H pack: 3 tray units and 10 legs (capacity 6 bottles horizontal)

3V pack: 3 tray units and 10 legs (capacity 12 bottles vertical)

5H pack: 5 tray units and 20 legs (capacity 10 bottles horizontal)

The Bottle-Up™ Double Wide Retail Rack

4V pack: 4 tray units and 15 legs (capacity 12 bottles vertical)

*Please call to discuss if you have special ordering needs

“Convenient” and “Efficient” bottle storage solutions...Also perfect for crisis and emergency relief programs in homes, schools, civil services, fire stations

Call for pricing and ordering information.